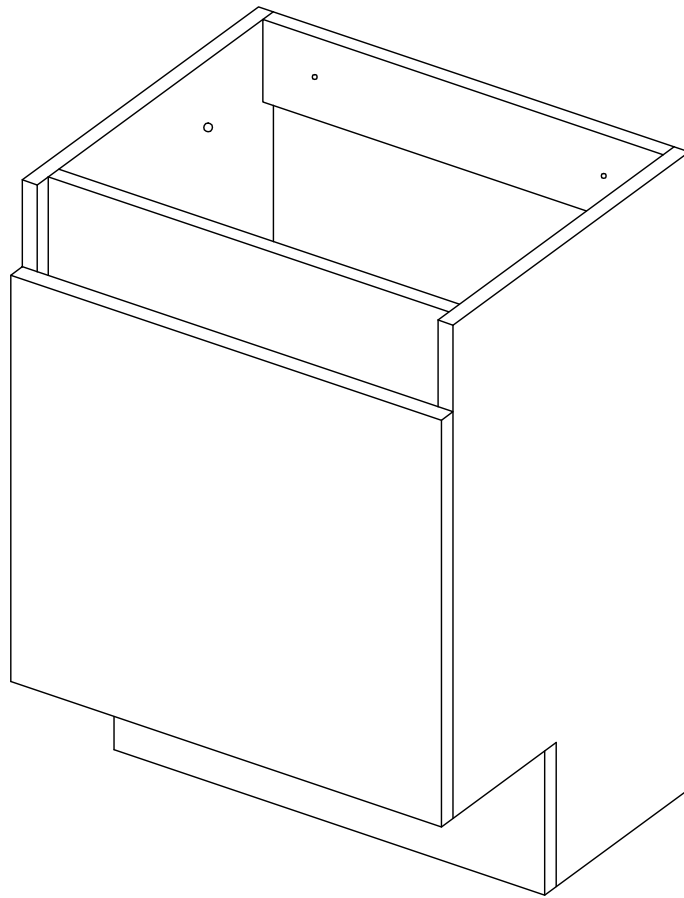


Installation Manual



Apply for following models:

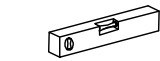
BeBa_25568

All furniture must be installed in a room with good ventilation and must be wiped dry after every use to prolong the life of the product.

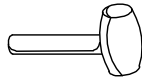
Please keep these instructions for future reference.



Tools Required



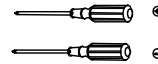
Spirit Level



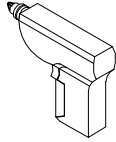
hammer



Pencil



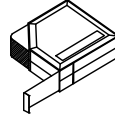
screw driver



electric driver



drill bit

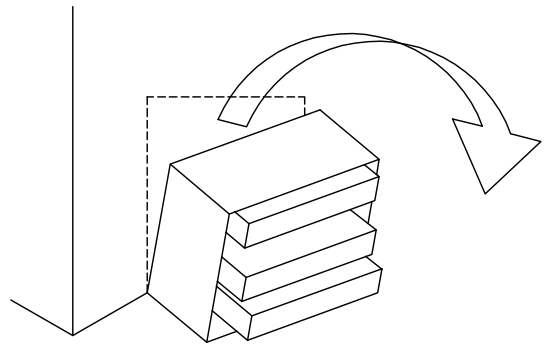
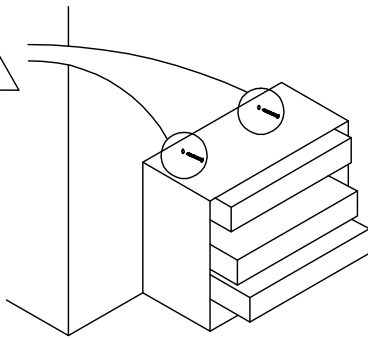
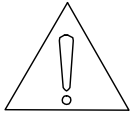


tape

Important information Read carefully.Keep this information for further reference.

Serious or fatal crushing injuries can occur from furniture tip-over.To prevent this furniture from tipping over it must be permanently fixed to the wall.

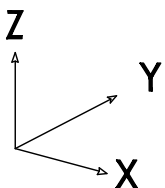
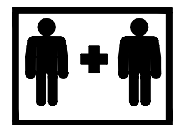
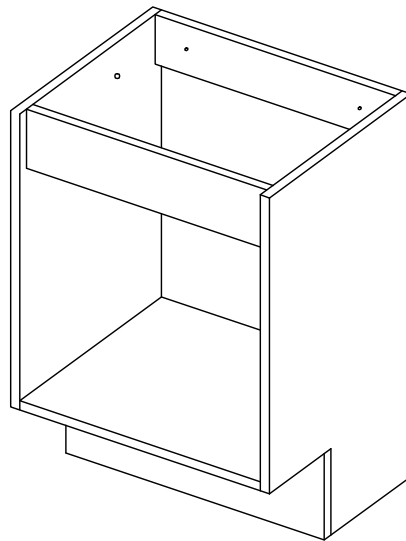
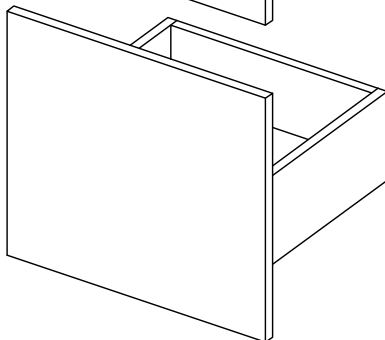
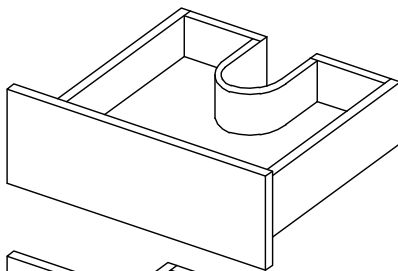
Fixing devices for the wall are not included since different wall materials require different types of fixing devices . Use fixing devices suitable for the walls in your home.For advice on suitable fixing systems,contact your local dealer.



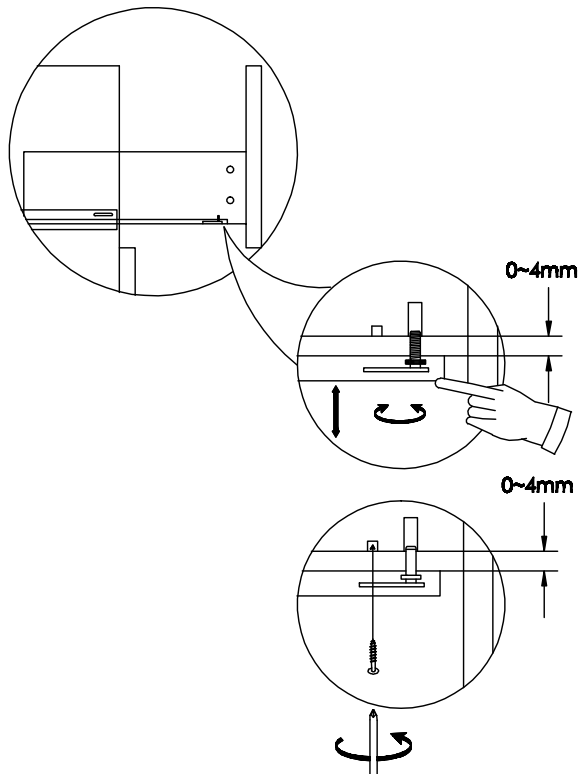
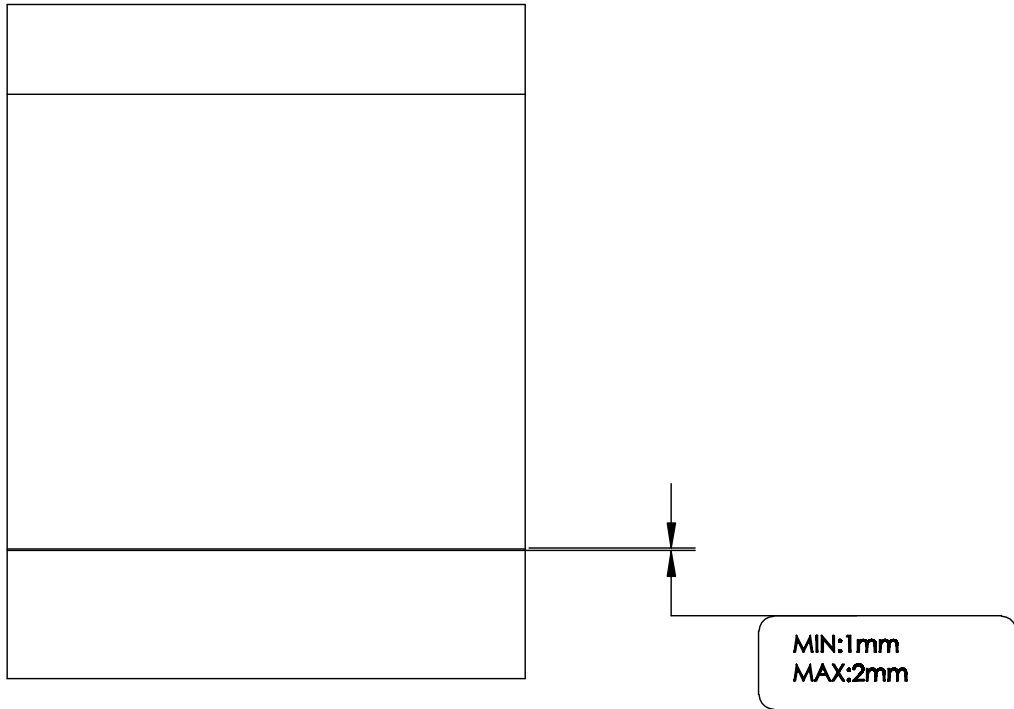
x=600mm

y=468mm

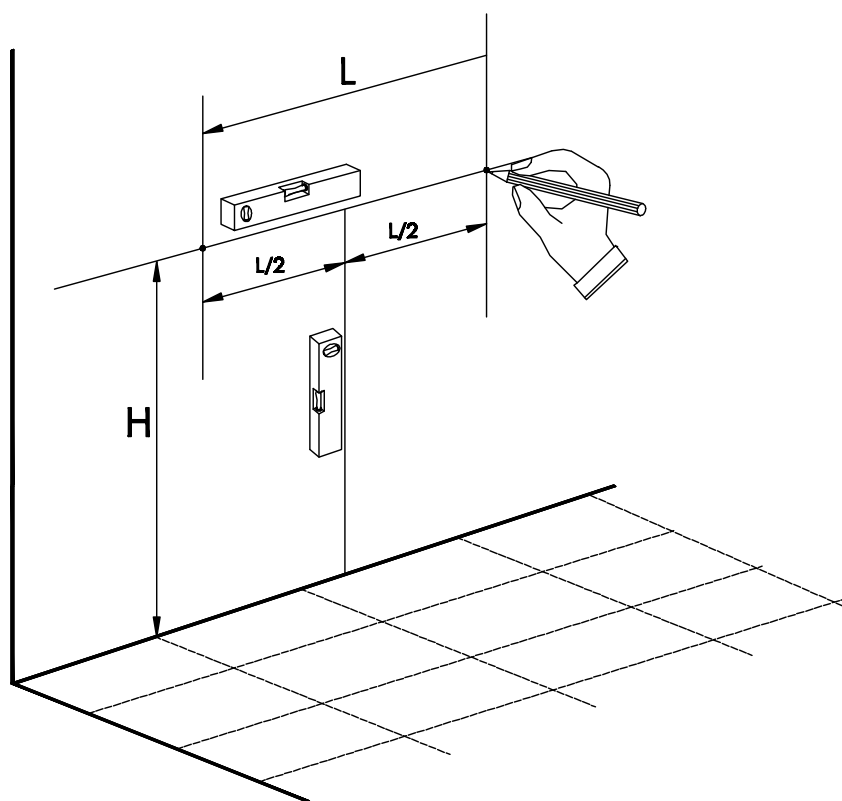
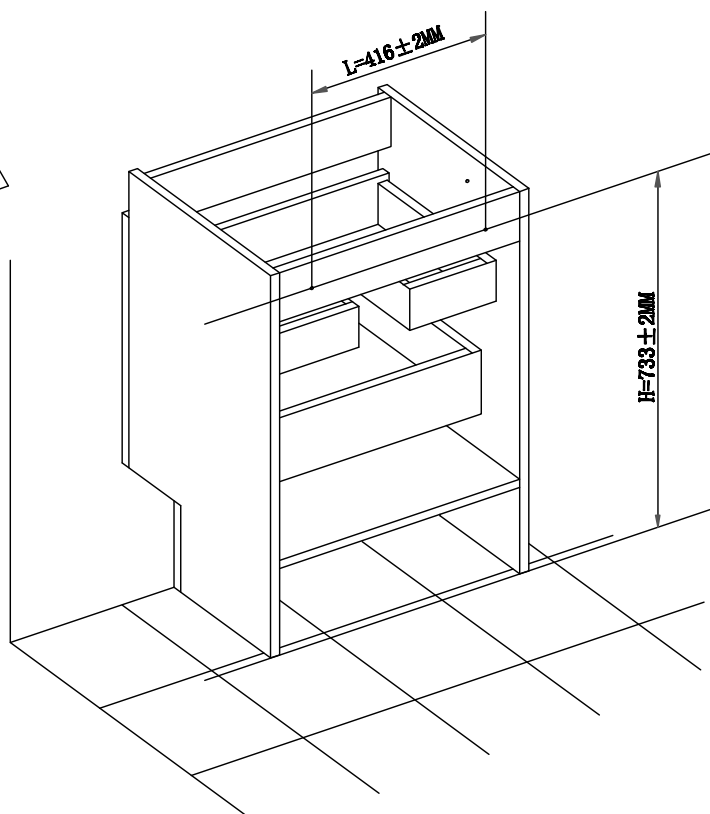
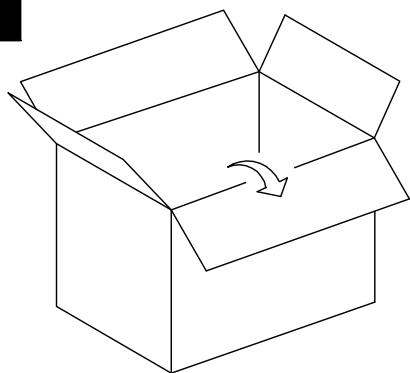
z=780mm



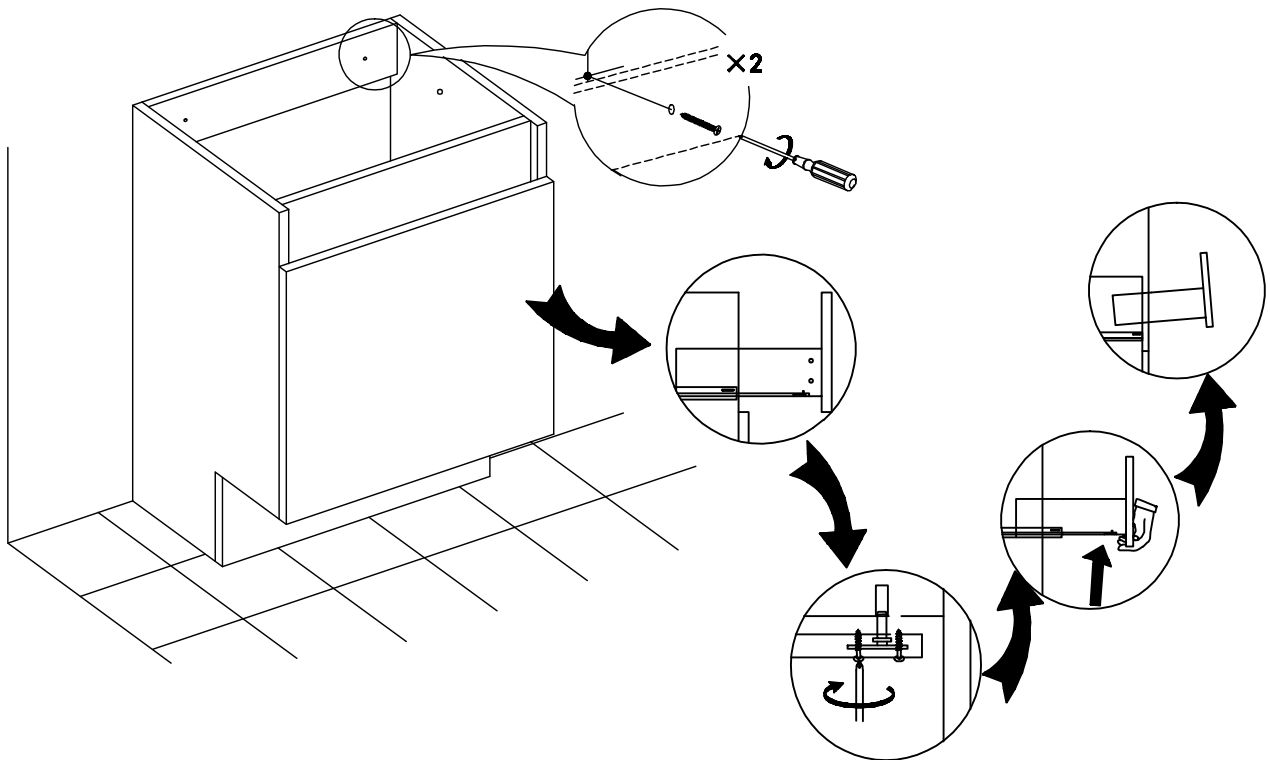
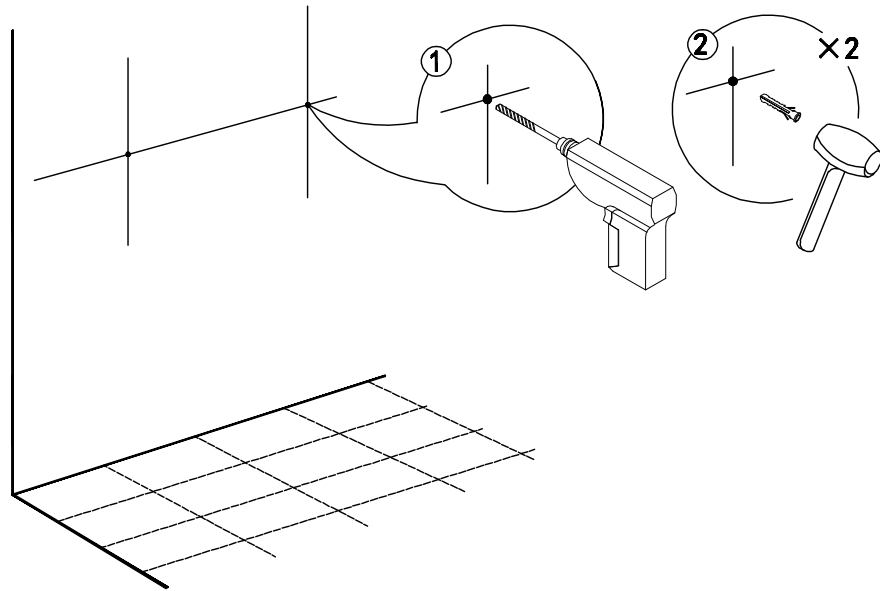
Gap Adjustment

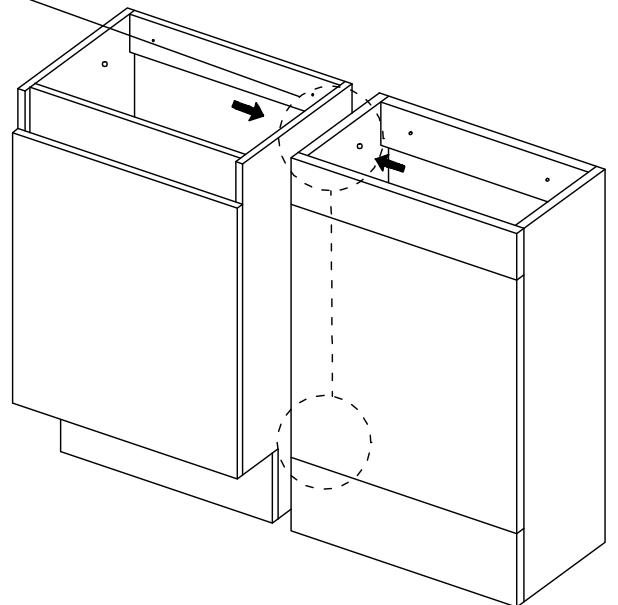
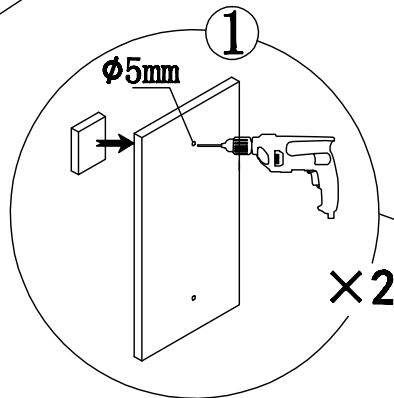
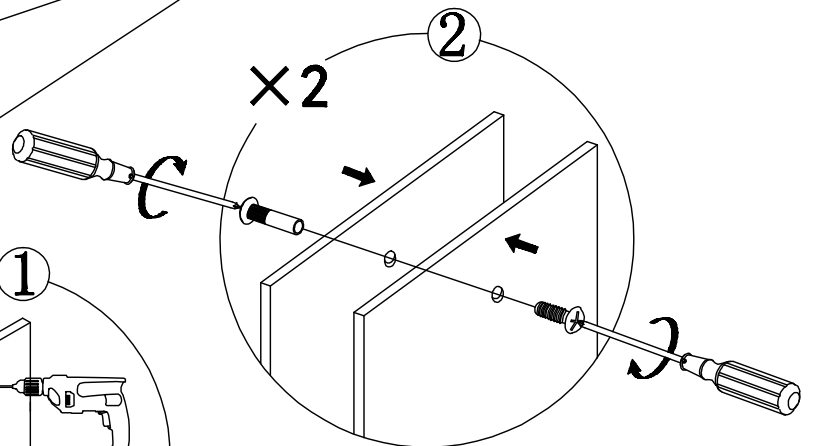
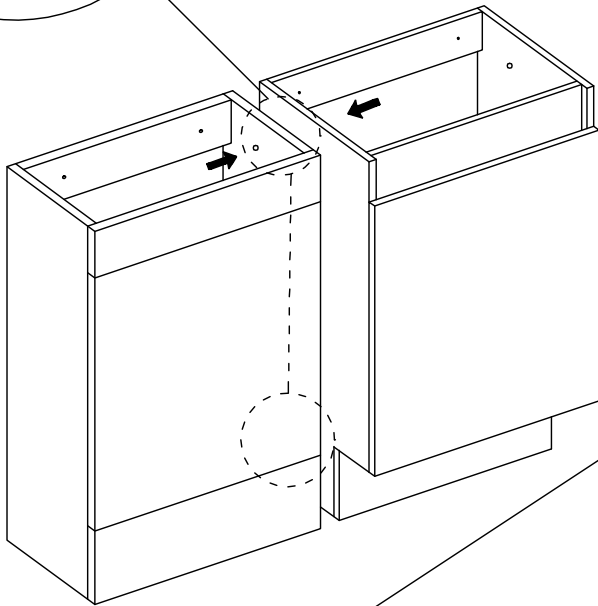
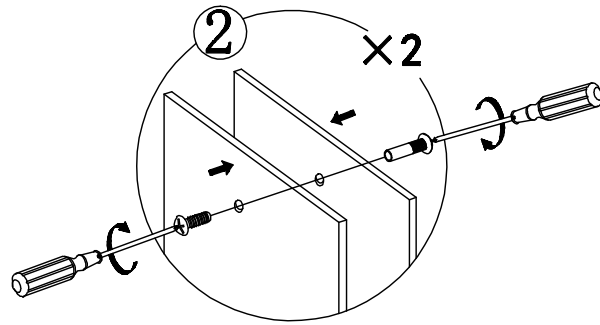
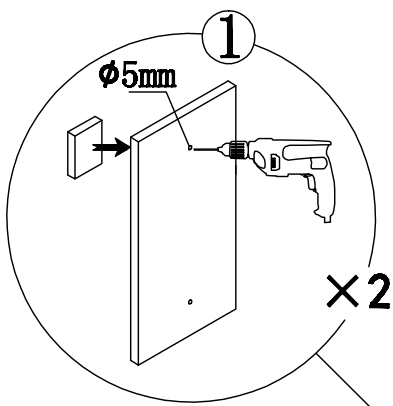


01

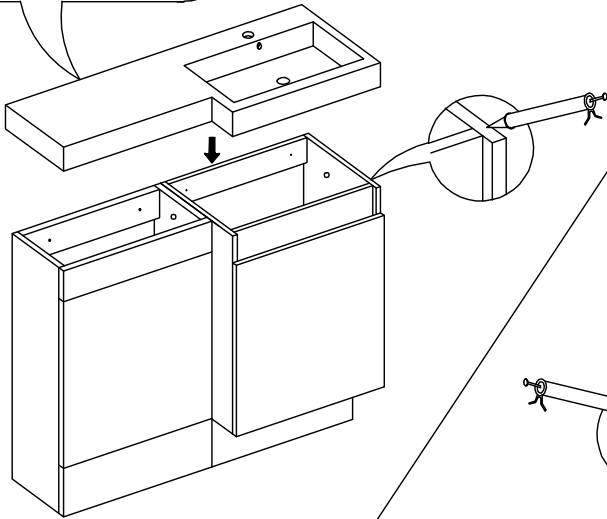


Please note - wall fixings are not supplied
These can be purchased from a local DIY store

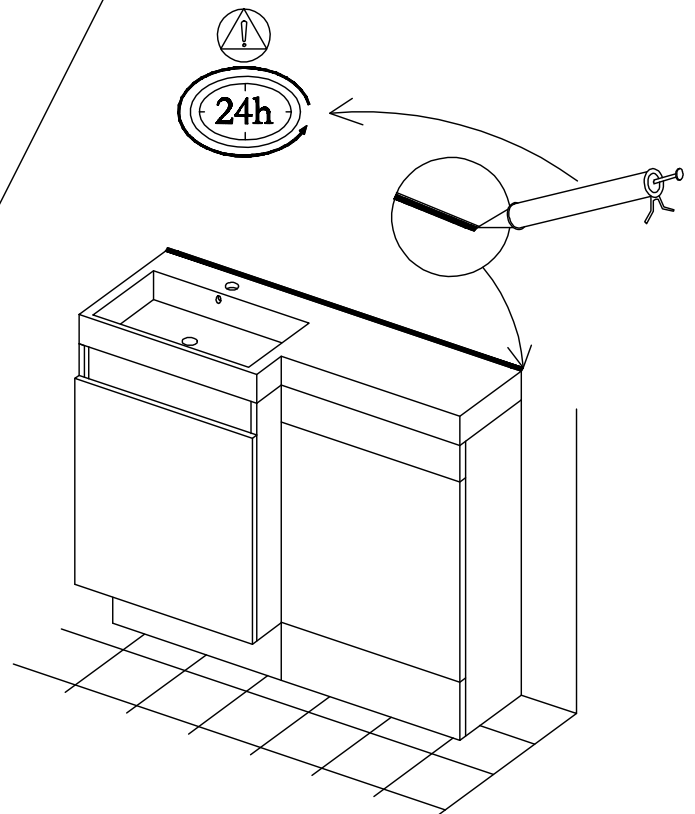
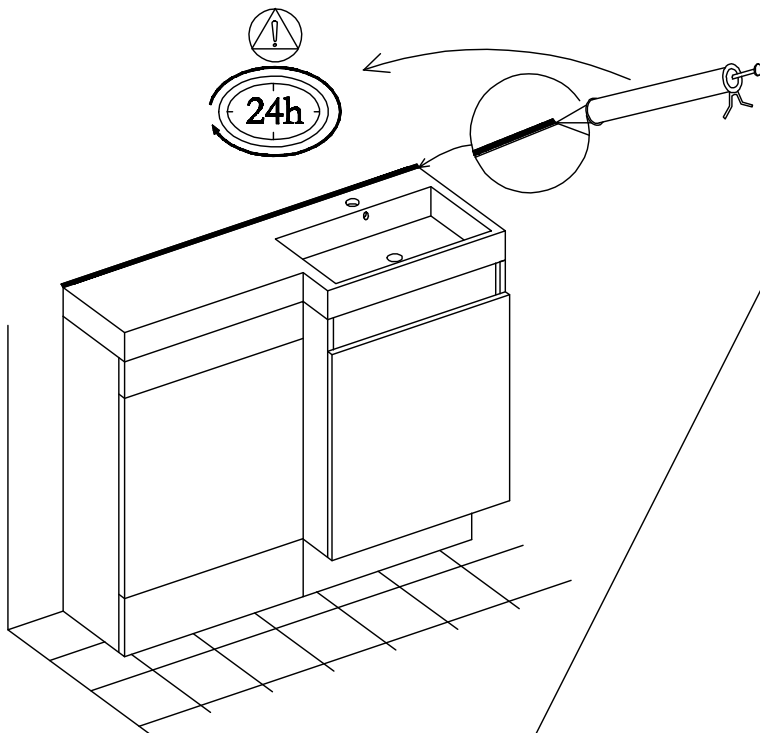
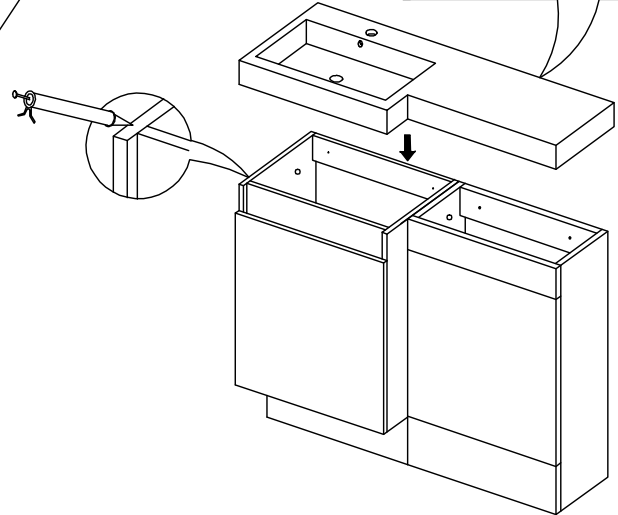


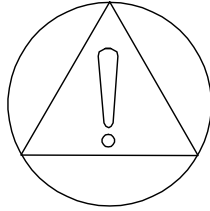


For ease of installation fit the tap and waste to the basin before fitting to the unit.

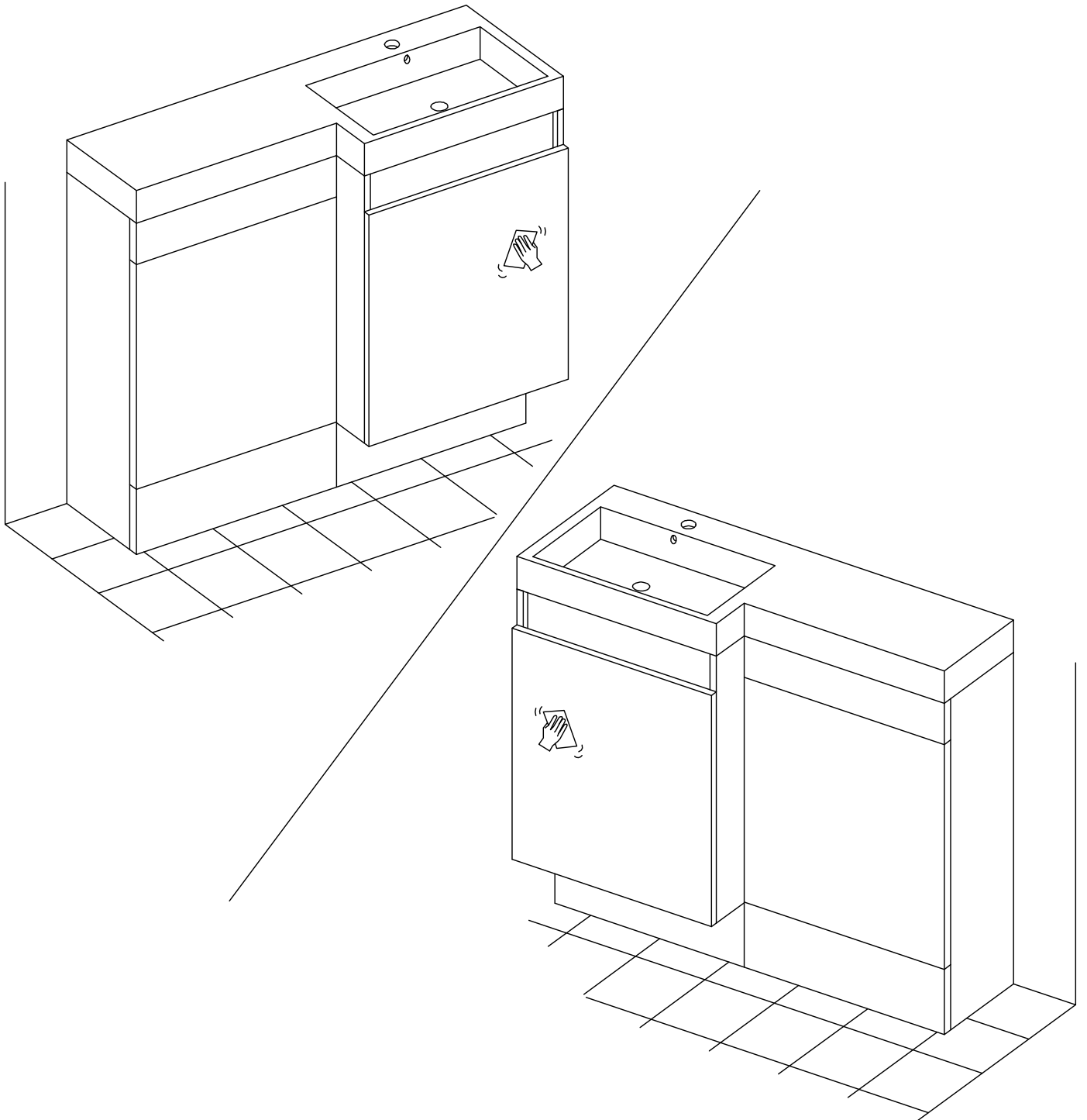


For ease of installation fit the tap and waste to the basin before fitting to the unit.

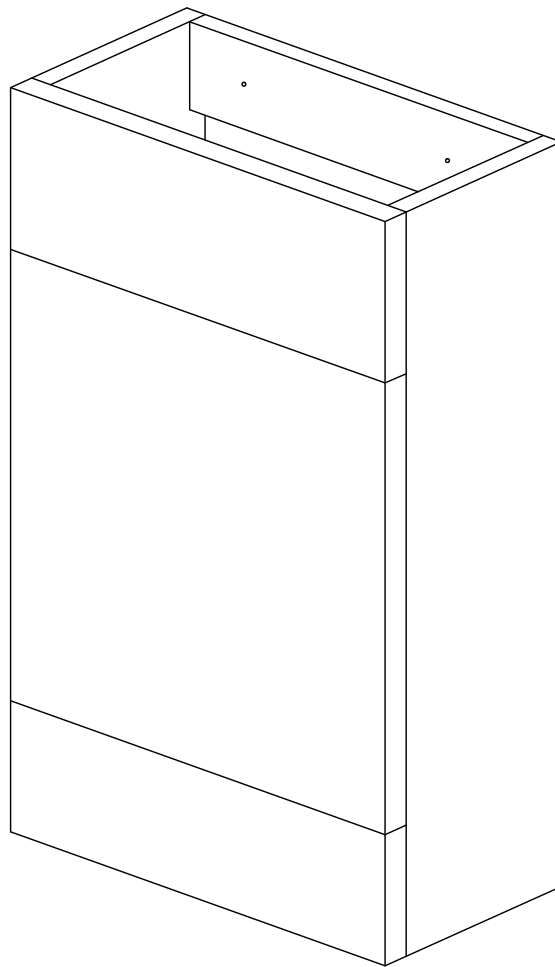




- Clean with a soft cloth & warm soapy water only
- Do not use abrasive cleaning agents
- Dry unit with a cloth after use



Installation Manual



Apply for following models:

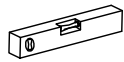
BeBa_25569

All furniture must be installed in a room with good ventilation and must be wiped dry after every use to prolong the life of the product.

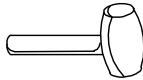
Please keep these instructions for future reference.



Tools required for installations (Tools not provided)



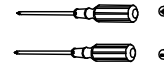
Spirit Level



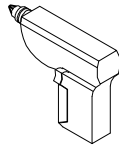
hammer



Pencil



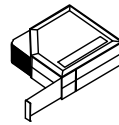
screw driver



electric driver

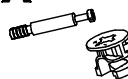


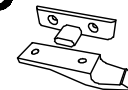
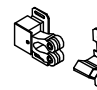




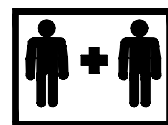
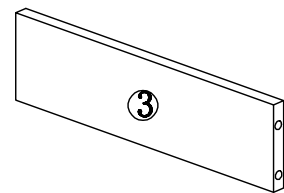
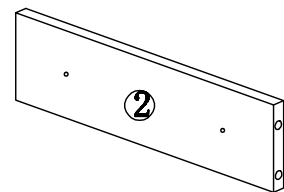
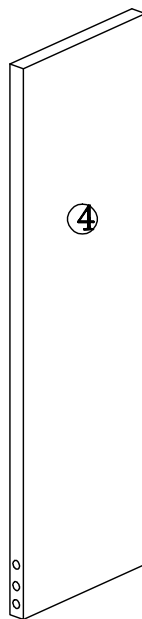
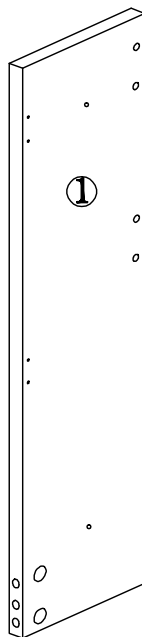
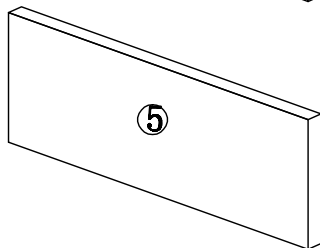
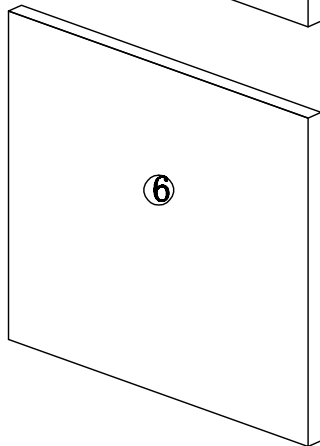
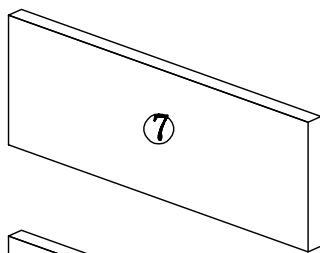
drill bit



tape

Package in carton box

<p>A</p>  <p>12pcs</p>	<p>B</p>  <p>2pcs</p>	<p>C</p>  <p>#3.5x14mm 16pcs</p>	<p>D</p>  <p>2pcs</p>	<p>E</p>  <p>2pcs</p>	<p>F</p>  <p>2pcs</p>	<p>G</p>  <p>4pcs</p>
--	---	--	---	--	---	---



1 helper for some tasks

screw driver

G



4pcs

B

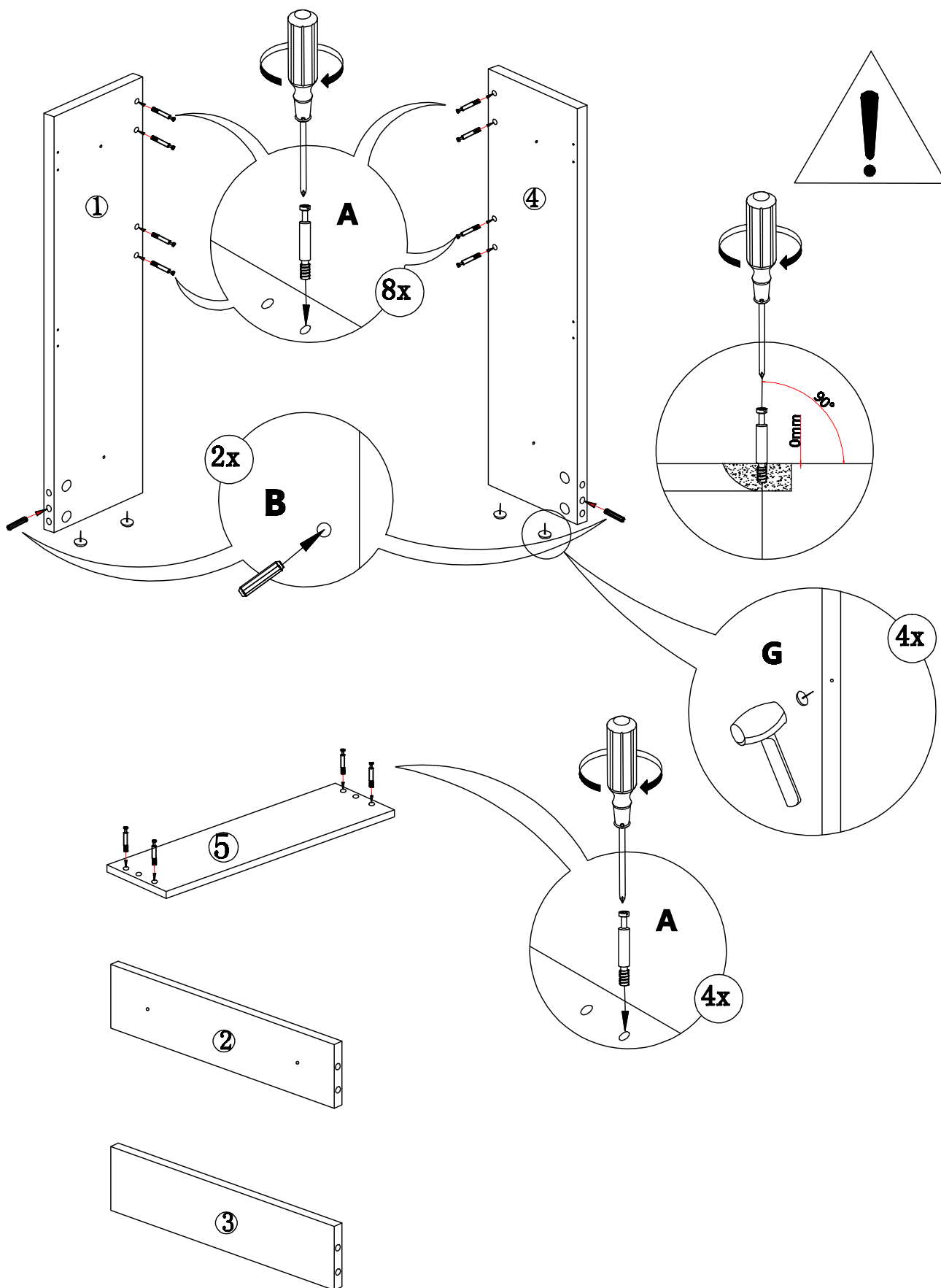


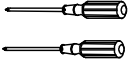

2pcs

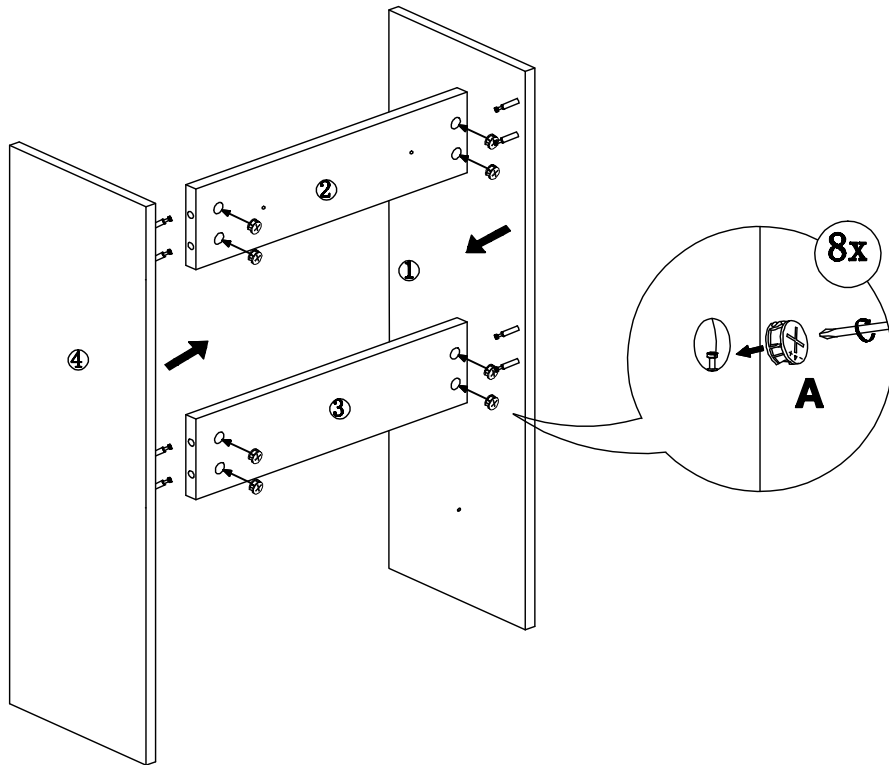
A

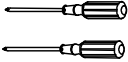



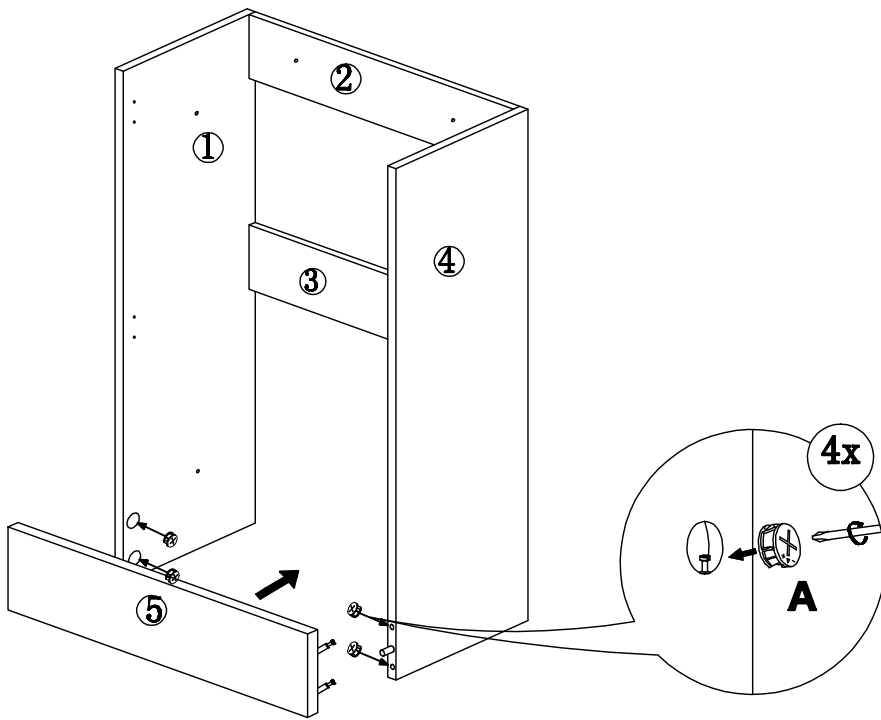
12pcs

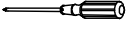
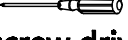


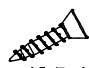
 screw driver	A  8pcs
--	--

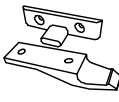


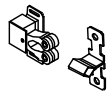
 screw driver	A  4pcs
---	---

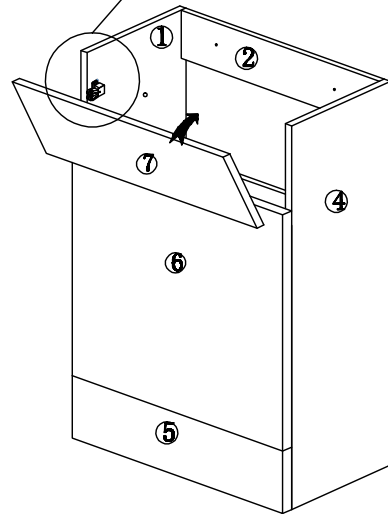
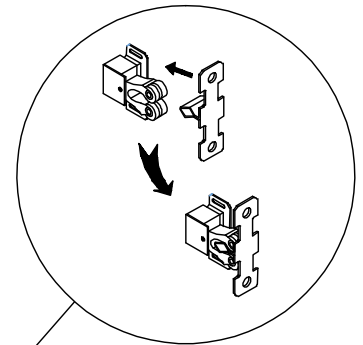
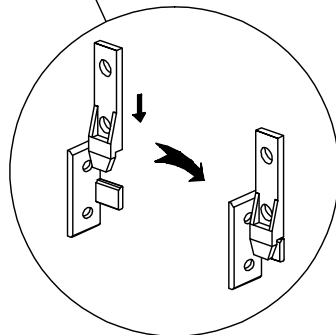
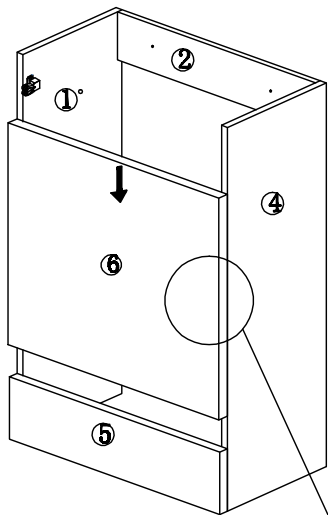
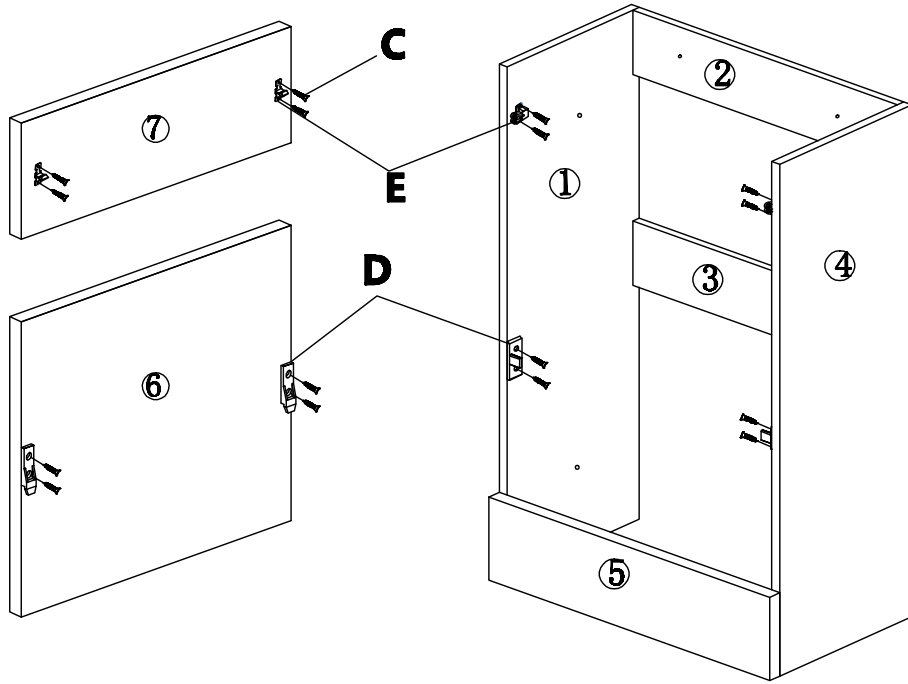


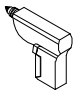

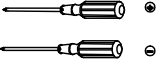
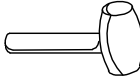
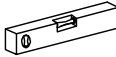

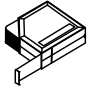


screw driver

C

Ø3.5x14mm
16pcs

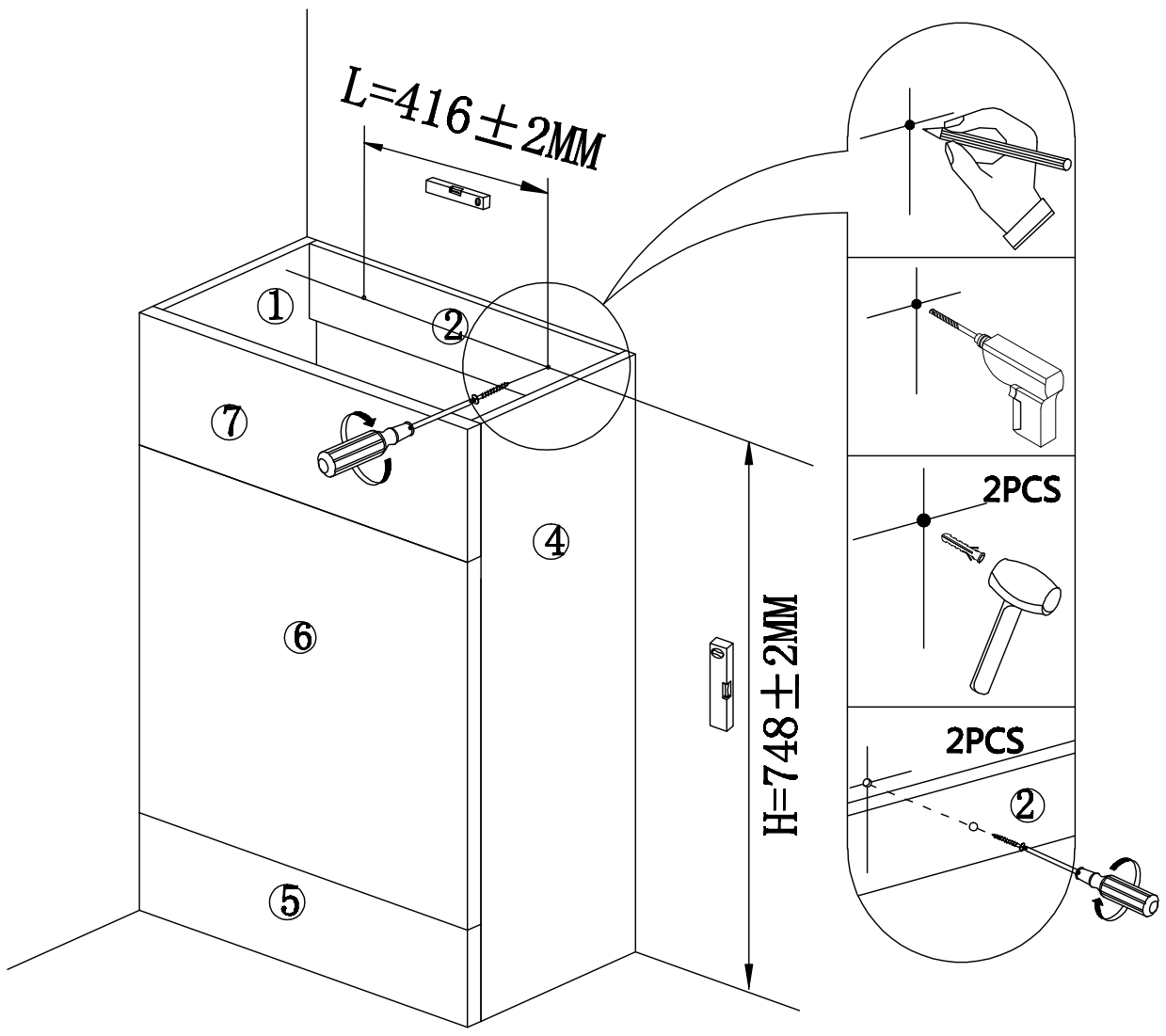
D

2pcs

E

2pcs



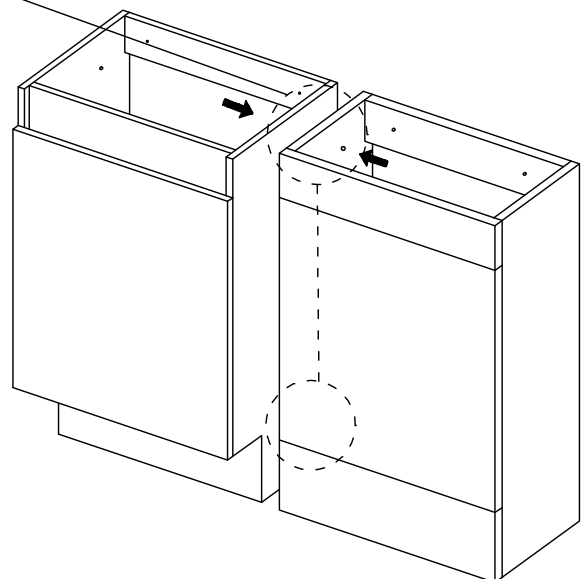
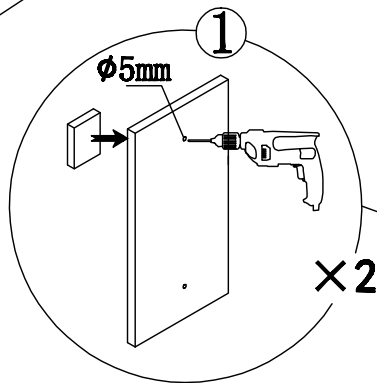
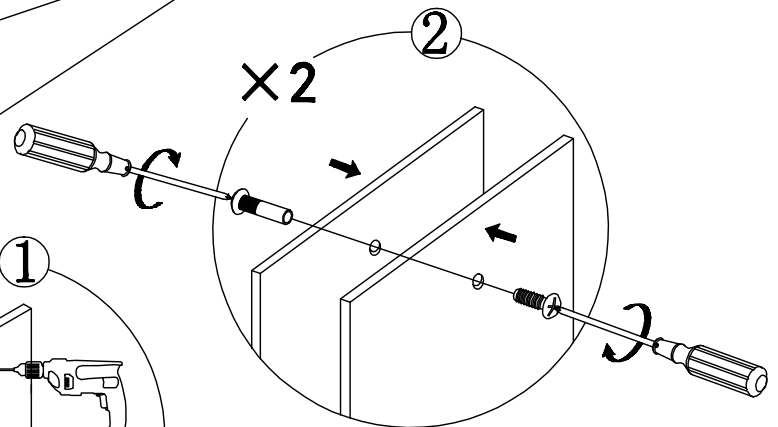
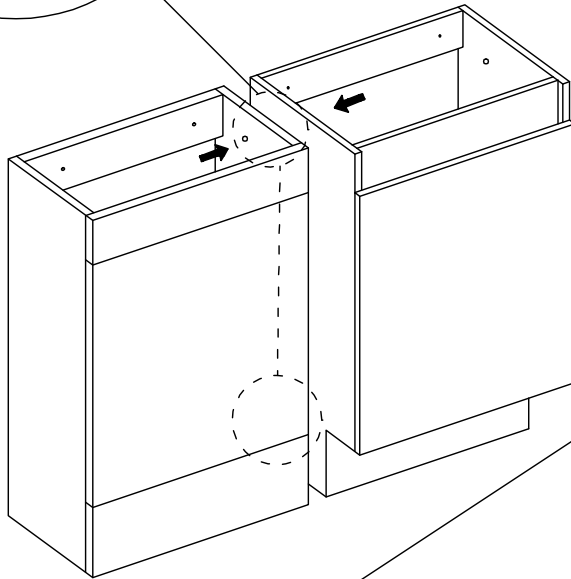
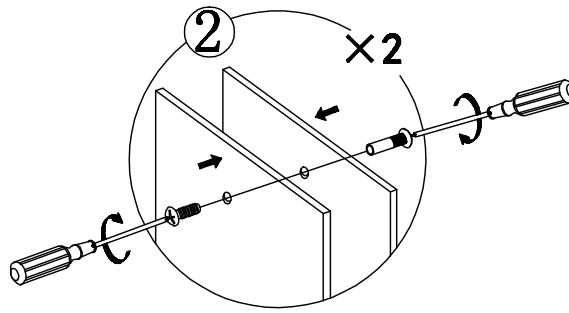
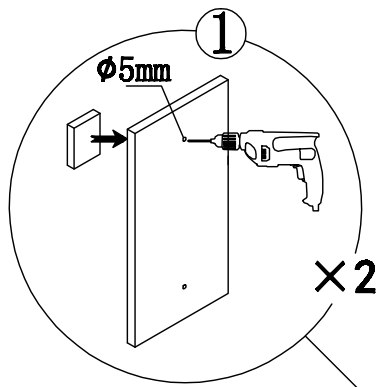
 <p>electric driver</p>	 <p>drill bit</p>	 <p>screw driver</p>	 <p>hammer</p>	 <p>Spirit Level</p>	 <p>Pencil</p>
 <p>tape</p>					

Please note - wall fixings are not supplied , These can be purchased from a local DIY store

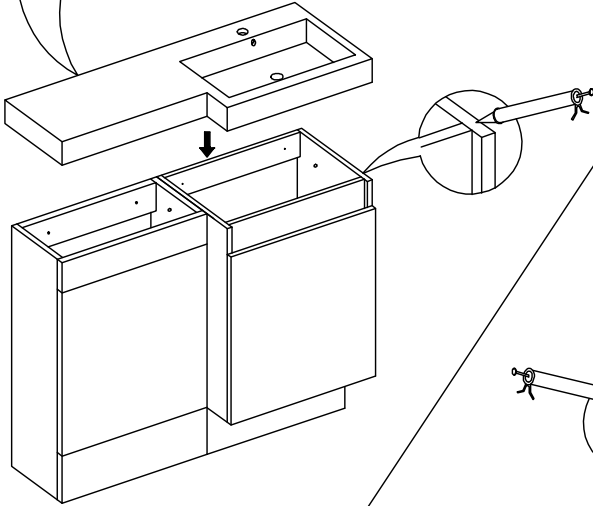




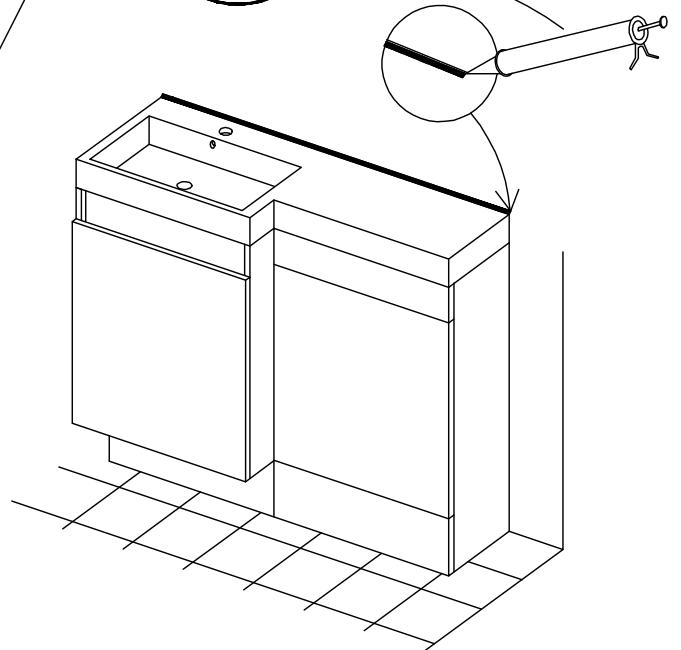
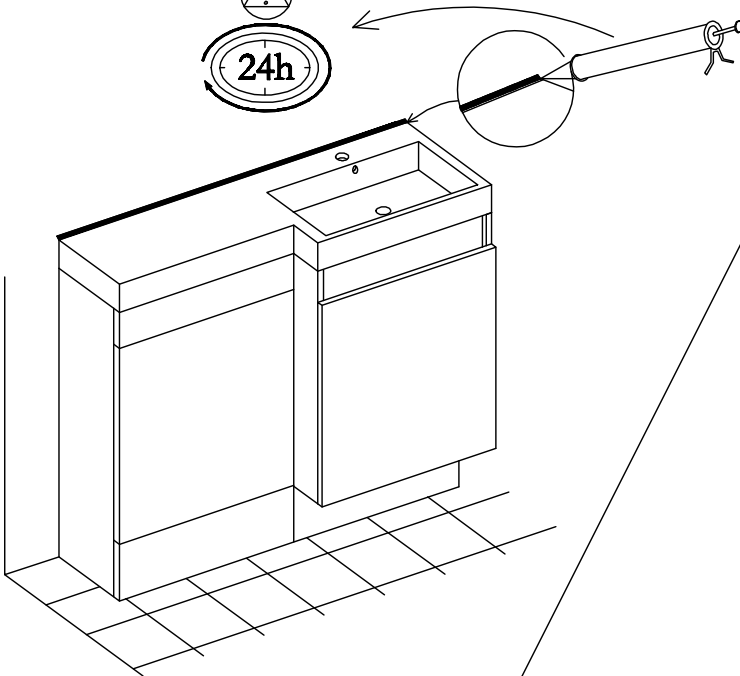
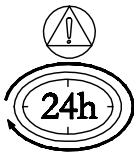
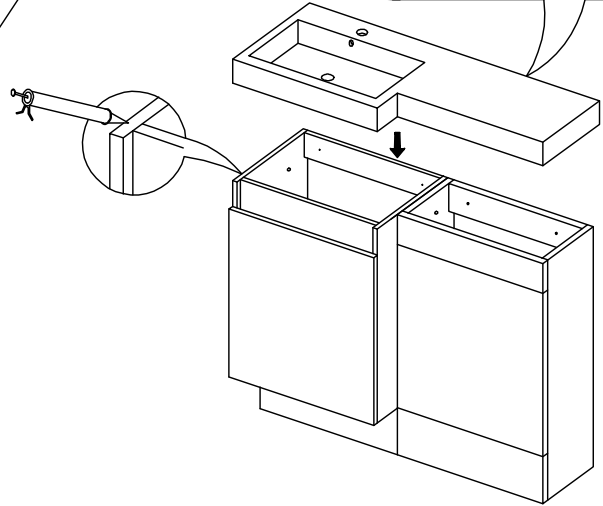
2pcs

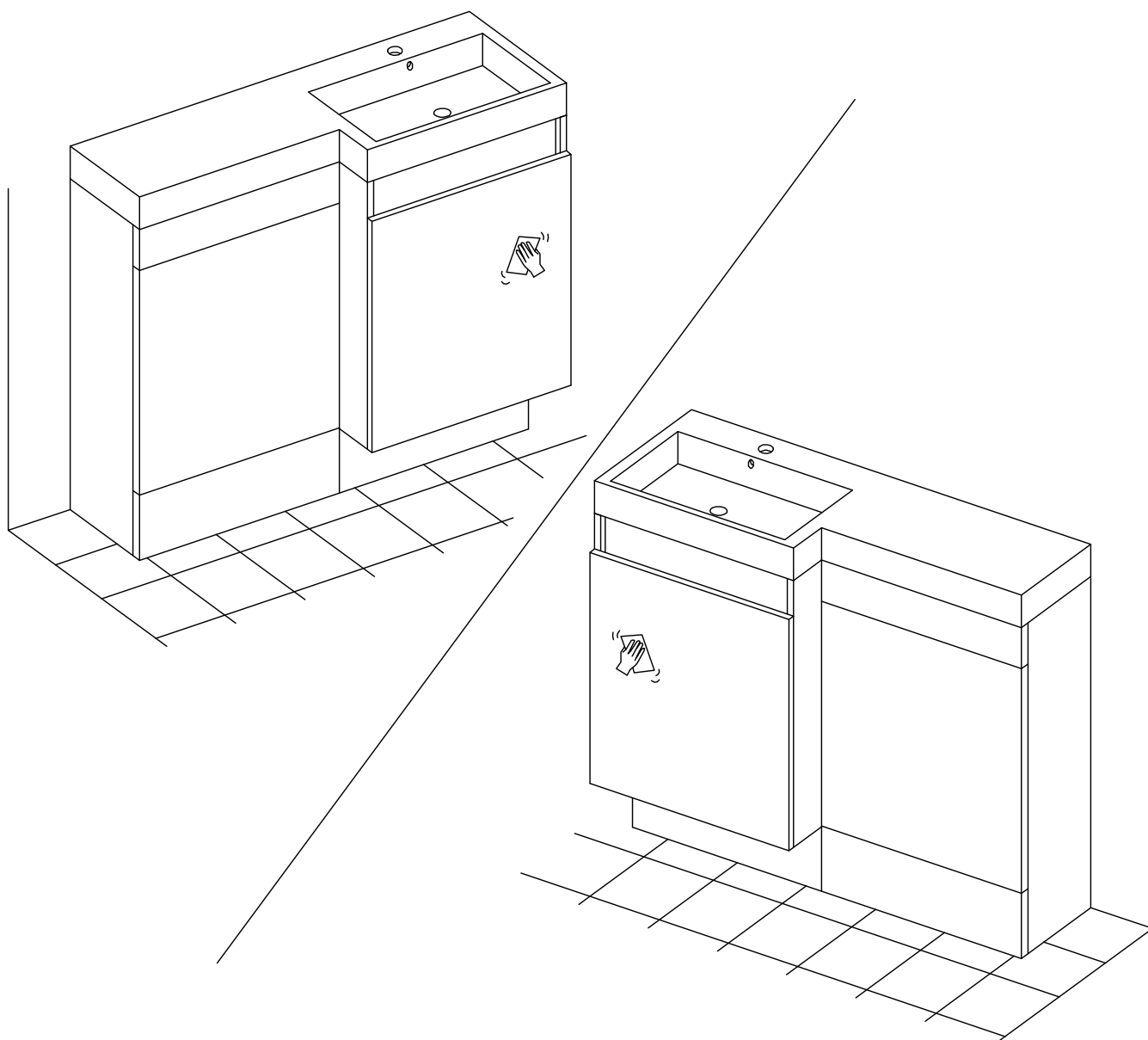


For ease of installation fit the tap and waste to the basin before fitting to the unit.



For ease of installation fit the tap and waste to the basin before fitting to the unit.

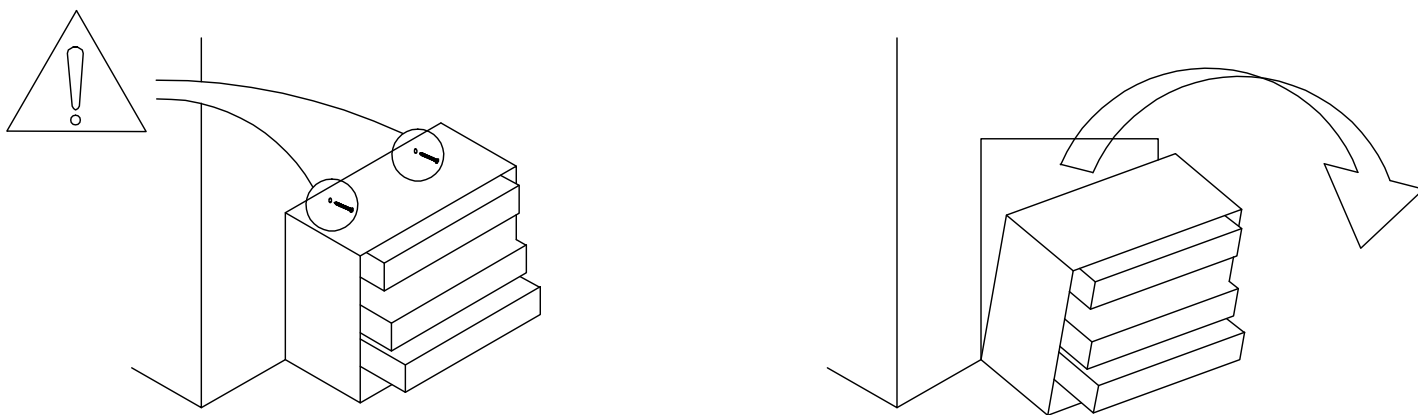




Important information Read carefully. Keep this information for further reference.

Serious or fatal crushing injuries can occur from furniture tip-over. To prevent this furniture from tipping over it must be permanently fixed to the wall.

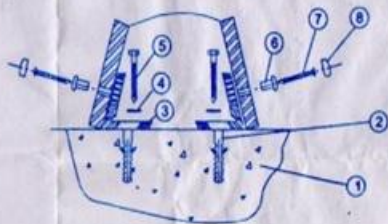
Fixing devices for the wall are not included since different wall materials require different types of fixing devices . Use fixing devices suitable for the walls in your home. For advice on suitable fixing systems, contact your local dealer.



Installation installation

Please check if all the parts as shown in the figure are ready and is there any lack of the parts ,please contact your local suppliers.

①	flat concrete floor
②	anchor
③	mounting bracket
④	washer
⑤	mounting bracket screw
⑥	washer
⑦	toilet bowl mounting screw
⑧	cap



- 1.The toilet bowl should be installed on the flat concrete floor.
- 2.As shown figure,drilling holes on the floor and then insert the anchors②into the holes .Attach the mounting bracket③ with the washer④ and mounting bracket screw⑤.
- 3.Put on the toilet bowl,and insert the washer⑥ in the anchor hole of the toilet bowl ,then tighten the mounting screw⑦ to secure the toilet bowl and mounting bracket,then put on the cap⑧.
- 4.After installation,please check if the toilet bowl is firm or not,if not,please check again if all the parts are installed correctly.

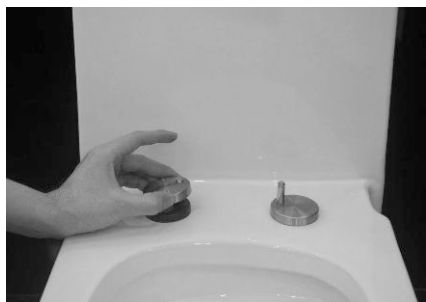
INSTALLATION INSTRUCTION



Insert the screw on the hinge base into the holes on the pan.



Tighten the setscrew but not to the end in order to adjust the seat cover properly.



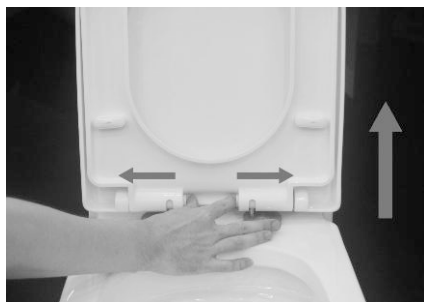
Aim at the holes and adjust the hinge base to make the seat cover and pan match.



Fix the hinge base on the pan firmly.



Put the cap into the hinge base. Fix the seat cover into the hinge base, Finish.



Press the button and remove the seat cover for cleaning.

Remind:

To clean this seat, do not use abrasive cleaning agents or materials, simply wipe clean with a soft damp cloth and a mild detergent.

Use of abrasive cleaning agents and materials will invalidate your guarantee.

Regular cleaning is necessary.

Cable Operated Dual Flush Concealed Cistern

FITTING INSTRUCTIONS

Please ensure these instructions are followed carefully – if you are unsure about any aspect of the installation, please consult a Qualified Installer. In the event of any problem with the function of this equipment, please check installation before contacting your supplier.

Before commencing installation, please check that all of the following items have been supplied, and you are thoroughly familiar with these instructions.

CONTENTS IN CARTON

Cistern Lid
Cistern Body
Flushpipe
Inlet Valve

Outlet Valve
Wall Hanging Bracket
Fixings Pack

All parts are quantity 1 unless stated otherwise

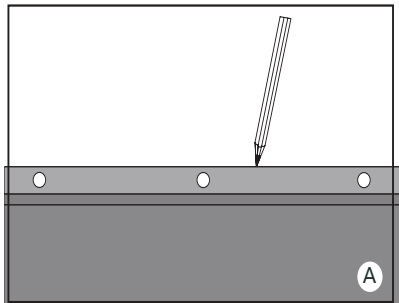
INSTALLATION OF EQUIPMENT

Do not use mole grips on plastic nuts

Do not use a sealing compound as damage may occur to plastic components.

Do not overtighten plastic nuts

The fixings supplied with this cistern will NOT suit every type of material or construction



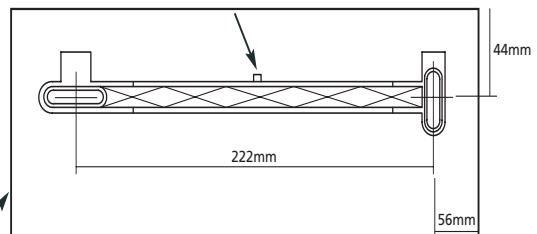
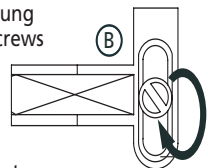
Line markings of cistern as drawn in picture 'A'

CISTERN BODY

Note: Maximum dimensions of flushpipe. Establish where cistern is to be located relative to the WC pan. Hold cistern in place, ensure cistern is level using a spirit level, and mark where the cistern is to be located, as shown in picture A. Mark top and sides of cistern and fit the wall hung fixing bracket to the dimensions shown below.

Using a screwdriver, lock the wall hung fixing bracket into position using screws provided, as shown in picture 'B'

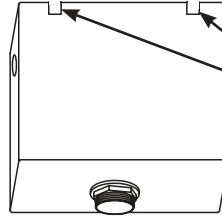
When fitting wall hung fixing bracket, ensure that the arrow indicated points towards wall/cabinet





Place conical sealing washer over threads, insert through hole in cistern secure in place using the slip ring and 1/2" back-nut supplied. Secure hand tight plus half turn with a spanner, tighten further if necessary.

Do not use mole grips on plastic nuts and do not use sealing compound, as damage may occur to plastic components.



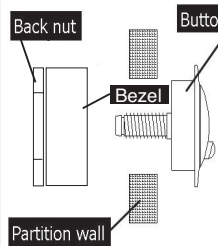
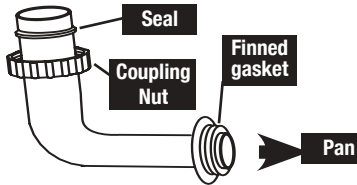
PUT CABLE INTO SLOT ON CISTERN

OUTLET VALVE

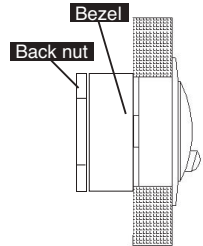
Insert threaded section of the valve into the cistern, with base seal on the inside, secure with back-nut hand tight, tighten further 1/2 turn using a spanner, check for leaks, tighten further if necessary.

Place the coupling nut on the flushpipe then place the seal as shown, the seal must be no more than 35mm onto the flushpipe, secure the flushpipe onto the valve, hand tight, check for leaks.

Fit the finned gasket as shown, insert into WC pan and ensure no leaks.



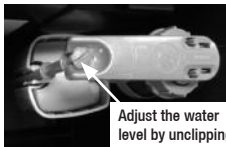
Button Assembly
Insert the button assembly through the aperture and secure in place, hand tight using the back-nut provided, do not overtighten as it could cause the button to stick.



Connect the cable assembly to the button assembly by inserting the threads, then firmly clicking the slide across, please ensure the route of the cable is not kinked.

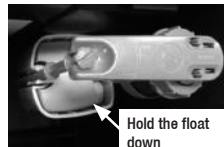
Final Commissioning

Ensure that all pipework is clear of debris before connecting to the inlet valve.



Adjust the water level by unclipping the red rod and move the cup and float up or down and then clip the red rod back into place.

Once installation is complete, turn the water supply and allow the cistern to fill. Adjust the water level by unclipping the red rod and moving the cup and float up or down and then clip the red rod back into place. The water line needs to be set to the 6 litre water line marked in cistern.



Hold the float down

Hold the inlet valve float down, causing the cistern to internally overflow, ensure overflow is capable of discharging the incoming water, if necessary reduce flow by partially closing the isolation valve (not supplied).

Code No.	PMCON01
Version No.	02
Date	15/04/2016